

MR600



Suitable for 5-axis machining of optical molds, precision molds & die, precision parts and complex hardware.

- + The machine tool is a moving beam gantry structure with a cradle-type two-axis turntable, and the A-axis uses double-drive technology.
- + The ability of “0.1 μ Feeding and 1 μ Cutting”, strong anti-vibration performance and less tool wear.
- + Simulate the process by software, to optimize the technical factors and improve the procedure’s safety.
- + On-machine measuring and intelligently correcting the errors of position and dimension of the work-piece, promoting the dimension accuracy.
- + Optionally equipped with Φ 150 high-speed synchronous spindle, cutting ability and machining efficiency are significantly improved, and the composite machining capabilities of milling, grinding, drilling, boring and tapping are strengthened.

MR600

Technical Specification

Items		Standard Value	
Position Accuracy (X/Y/Z)	mm	0.003/0.003/0.003	
Position Accuracy (A/C)	sec	8/8	
Repeatability (X/Y/Z)	mm	0.002/0.002/0.002	
Repeatability(A/C)	sec	5/5	
Travel (X/Y/Z)	mm	650/660/500	
A/C Rotation Angle	deg	-120~90 /360	
Worktable Size	mm	φ630	
Max. Load	Kg	400	
Spindle Type		JD180S-15-HA63/B	JD180SC-15-HA63/B
Max. Spindle Speed	rpm	15000	
Tool Holder Type		HSK-A63	
Tool Magazine		Chain Type Tool Magazine with Manipulator	
Tool Magazine Capacity		51	
Max. Rapid Rate (X/Y/Z)	m/min	15	
Max. Rotation Rate (A/C)	rpm	60/60	
Max. Feed Rate (X/Y/Z)	m/min	10	
Max. Feed Rate (A/C)	rpm	60/60	
Drive System		AC Servo	
Voltage		3-Phase, 380V / 50Hz, or Customized	
Air Pressure	MPa	0.35-0.4	
Machine Weight	Kg	12000	

+ Above parameters have been calibrated With reference to International standard ISO230-2.

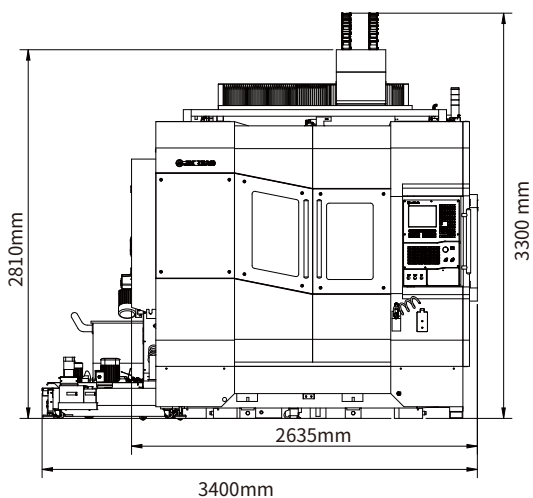
Standard

- + JD50 Control System
- + Jingdiao On-machine Measurement System
- + Spindle & Rotary Table Refrigerator
- + Chain-type Tool Magazine
- + Direct-drive Double-axis Rotary Table
- + Chip Disposal
- + Contact Tool Calibrator
- + Manual Pulse Generator(MPG)

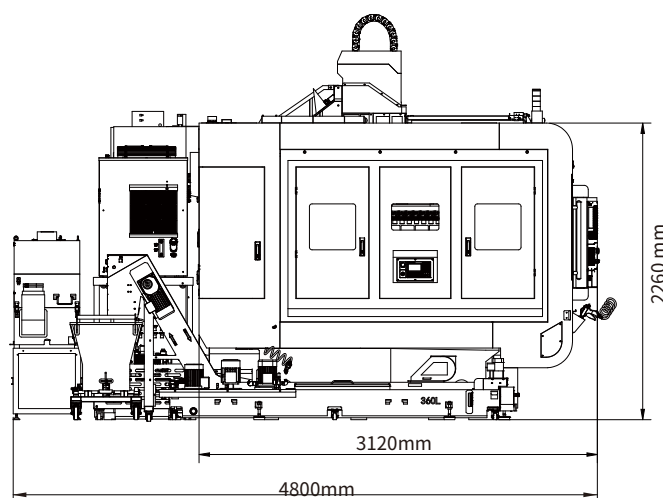
Optional

- + Oil Mist Separation Device
- + Oil Water Separator
- + Coolant Chilling System
- + Bag Type Filtration System
- + Bag Filter
- + Probe
- + Laser Tool Set
- + Coolant Tank

Machine Dimension



Front View



Left View